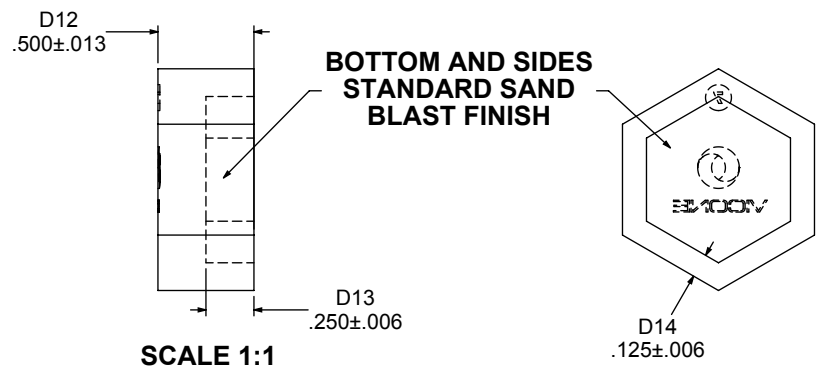


**TOP FINISH - SPI-B2
NO TOOL OR SCUFF MARKS**




Tensile Strength	ASTMD412	Mpa	10.8
Elongation at break	ASTMD412	%	273.2
Hardness	ASTMD2240		61
Compression set (22hrs @ 175°C)	ASTMD395	%	6.5
Density	ASTMD3165		1.852
Heat aging (70hrs @ 200°C)			
Change in Tensile strength	ASTMD573	%	11.1
Change in Elongation	ASTMD573	%	-30
Change in Hardness	ASTMD573		2.6
Compression Stress Modulus			
Compression 5%		Mpa	0.3
Compression 10%		Mpa	0.61
Compression 20%		Mpa	1.22
Compression 25%		Mpa	1.71



SCALE 1:1

NOTES:
RoHS APPROVED

Drawn John Fisher Date 05/10/11		VICONE High Performance Rubber Inc. 12-216 Poirier Street St. Eustache, Quebec, J7R 6B1 www.viconerubber.com 877-VICONE2 (842-6632)	
Checked Eric Leclair Date 07/07/11	Approved Eric Leclair Date 03/09/12	Title - HEX SAMPLE #7	Scale:2:1 Sheet 1 of 1
Material VicoFluor™106F - 60 DURO	Colour BLACK	DWG # MD00418	Rev # 00

This drawing, design, and/or concept, along with all of the contents herein are the exclusive ownership of Vicone High Performance Rubber Inc. Its reproduction and/or distribution are strictly prohibited. Copyright Vicone High Performance Rubber Inc.

TOLERANCES - IMPERIAL
(unless specified otherwise)
RMA-A2-T0.016"

